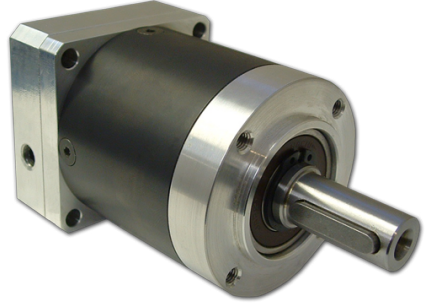


GBPN-160x - High Grade Gearboxes

FEATURES

- **Compatible with NEMA Size 42 Motors**
- **Backlash as Low as 6 arc-min**
- **Gear Ratios from 3:1 64:1**
- **Long Design Life, Over 30,000 Hours**
- **Up to 96 Percent Efficiency**
- **Peak Input Speeds of Up to 6500 RPM**
- **Lifetime Lubrication, High Durability**



DESCRIPTION

The GBPN-160x Series Planetary Gearboxes are built with the design goal of offering a cost-effective product without sacrificing quality. These planetary gearboxes are ideal for motion control, automation, or robotics applications, or when extremely low backlash and high stiffness are not required. These high-quality planetary gearboxes provide high efficiency, low noise, and high output torque. This planetary gearbox series is an ideal match for the NEMA 42 frame size and many other servo, stepper, brushless, AC or DC motors.

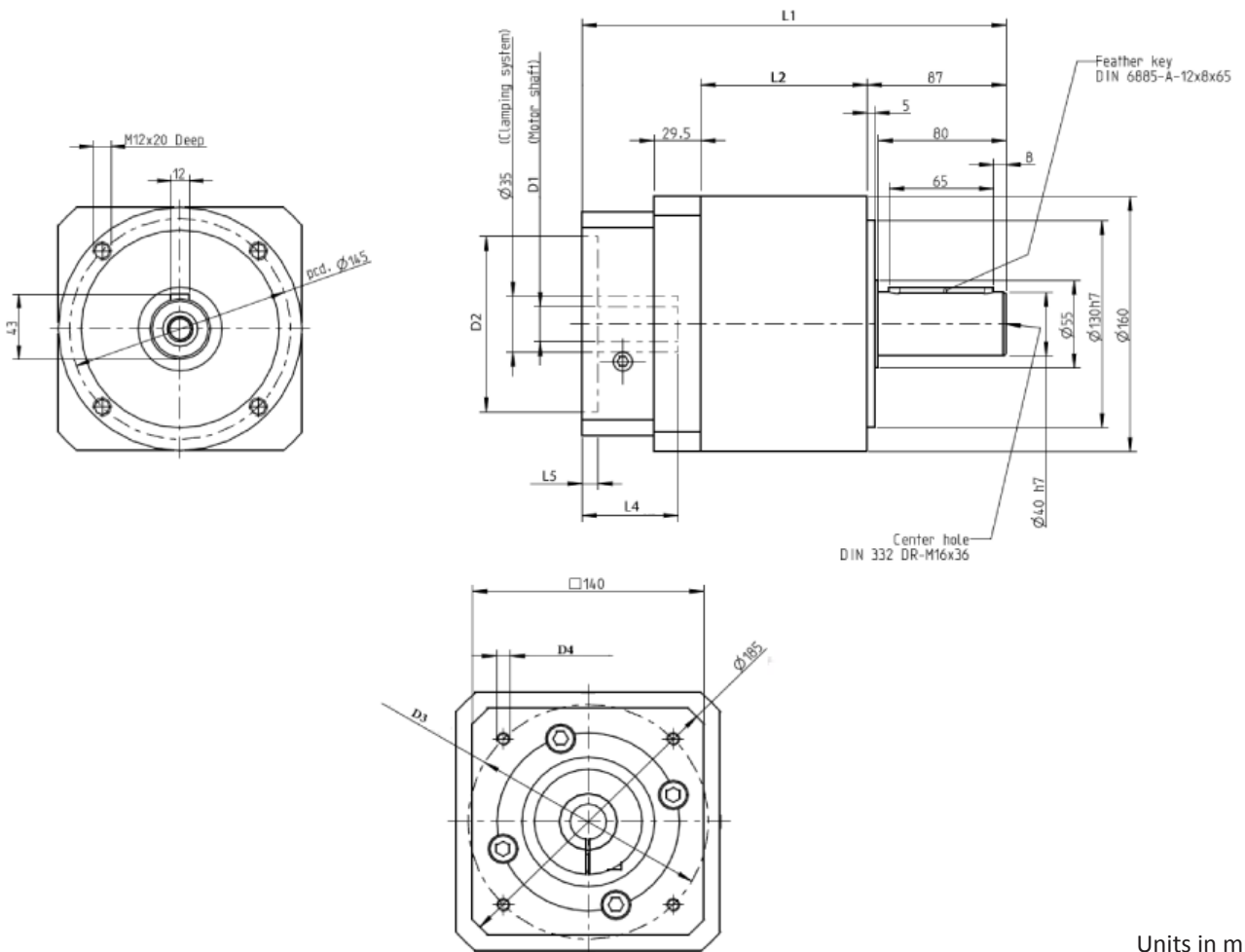
SPECIFICATIONS

Item	Gear Ratio (X:1)	Rated Output Torque (in-lb)	Maximum Output Torque (in-lb)	Backlash Maximum (arc-min)	Maximum Input Speed (RPM)	Efficiency (%)	Torsional Rigidity (in-lbs/arc-min)	L2 Length (mm)	Weight (lbs)
GBPN-1601-003-xxxx-yyy	3	3540	5664	<6	6500	96	39	104	39.7
GBPN-1601-004-xxxx-yyy	4	3983	6373	<6	6500	96	39	104	39.7
GBPN-1601-005-xxxx-yyy	5	3983	6373	<6	6500	96	39	104	39.7
GBPN-1601-008-xxxx-yyy	8	3983	6373	<6	6500	96	39	104	39.7
GBPN-1602-012-xxxx-yyy	12	7080	11328	<10	6500	94	41	154	48.5
GBPN-1602-015-xxxx-yyy	15	6195	9912	<10	6500	94	41	154	48.5
GBPN-1602-016-xxxx-yyy	16	7080	11328	<10	6500	94	41	154	48.5
GBPN-1602-020-xxxx-yyy	20	7080	11328	<10	6500	94	41	154	48.5
GBPN-1602-025-xxxx-yyy	25	6195	9912	<10	6500	94	41	154	48.5
GBPN-1602-032-xxxx-yyy	32	7080	11328	<10	6500	94	41	154	48.5
GBPN-1602-040-xxxx-yyy	40	6195	9912	<10	6500	94	41	154	48.5
GBPN-1602-064-xxxx-yyy	64	3983	6373	<10	6500	94	41	154	48.5

Part numbers are based on the specifications of the motor being matched to the gearbox.
 -xxxx denotes motor pilot, -yyy denotes input shaft diameter.
 For more information contact an Anaheim Automation Applications Engineer for assistance.

Radial Force:	945 lbs.
Axial Force:	1350 lbs.
Running Noise:	70 ds

L010854



Units in mm

ITEM	DESCRIPTION	MOTOR INTERFACE	
		EM130-866	EM180-1378
D1	Input Shaft Diameter	22	35
L4	Max Shaft Length	60	80
L3	Motor Mount Length	74.5	94.5
D2	Pilot Diameter	110	114.3
L5	Pilot Depth	10	6
D3	Mounting Bolt Hole Circle	145	200
D4	Bolt Hole Size	M8x20	M12x30
L1	Overall Length (1-Stage)	265.5	285.5
L1	Overall Length (2-Stage)	315.5	335.5

***1-Stage Models:** Gear Ratios 3-8

***2-Stage Models:** Gear Ratios 12-40,64